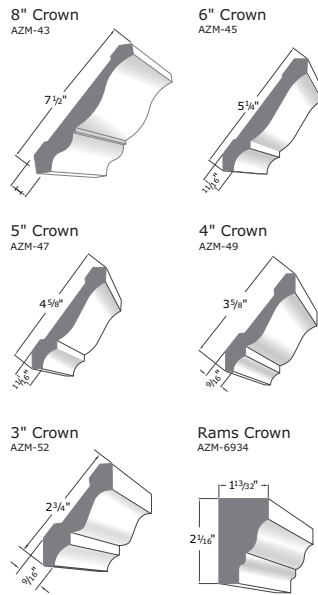


AZEK® TRIM & MOULDING

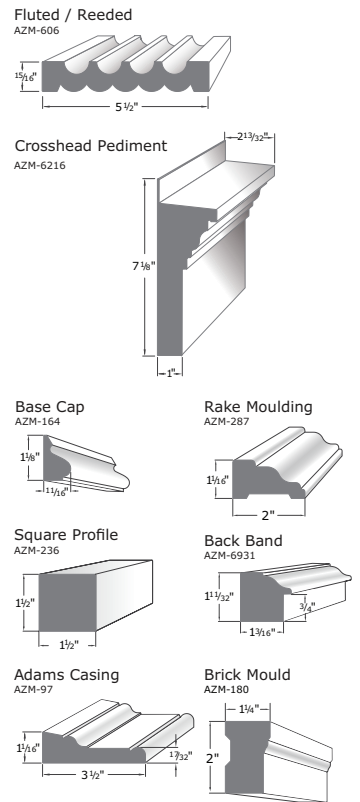
MOULDINGS

- 3" Crown Moulding 9/16" x 2-5/8" x 16'
- 4" Crown Moulding 9/16" x 3-5/8" x 16'
- 5" Crown Moulding 11/16" x 4-5/8" x 16'
- 6" Crown Moulding 11/16" x 5-1/4" x 16'
- 8" Crown Moulding 1" x 7-1/2" x 16'
- Rams Crown 1-13/32" x 2-1/16" x 16'
- Cove Moulding 3/4" x 4-1/4" x 16'
- Bed Moulding 9/16" x 1-3/4" x 16'
- Scotia 3/4" x 3/4" x 16'
- Quarter Round 3/4" x 3/4" x 16'
- Shingle Moulding 11/16" x 1-5/8" x 16'
- Band Moulding 11/16" x 1-5/8" x 16'
- Fluted/Reed 15/16" x 5-1/2" x 16'
- Crosshead Pediment 2-13/32" x 1" x 7-1/8" x 18'
- Base Cap 11/16" x 1-1/8" x 16'
- Brick Mould 1-1/4" x 2" x 17'
- Back Band 1-11/32" x 1-3/16" x 16'
- Rake Moulding 1-1/16" x 2" x 16'
- Square Casing 1-1/2" x 1-1/2"
- Drip Cap 1-1/16" x 1-5/8" x 16'
- Water Table 2-3/4" x 2" x 18'
- Historic Sill 1-3/4" x 2-1/32" x 16'
- Sub Sill Nose 1-17/32" x 1-1/2" x 1-3/8" x 16'
- Garage Door Thermostop 3/8" x 2" x 7' and 9' and 16'

CROWN PROFILES



CASING PROFILES



TRIMBOARD

5/8 THICKNESS

- 5/8" x 3-1/2" x 18'
- 5/8" x 5-1/2" x 18'
- 5/8" x 7-1/4" x 18'
- 5/8" x 9-1/4" x 18'
- 5/8" x 11-1/4" x 18'
- 5/8" x 15-1/4" x 18'

5/4 THICKNESS

- 5/4 x 4 x 18'
- 5/4 x 4 x 20'
- 5/4 x 5 x 18'
- 5/4 x 5 x 20'
- 5/4 x 6 x 18'
- 5/4 x 6 x 20'
- 5/4 x 8 x 18'
- 5/4 x 8 x 20'
- 5/4 x 10 x 18'
- 5/4 x 10 x 20'
- 5/4 x 12 x 18'
- 5/4 x 12 x 20'
- 5/4 x 16 x 18'
- 5/4 x 16 x 20'

4/4 THICKNESS

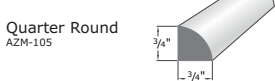
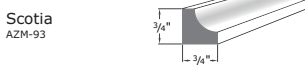
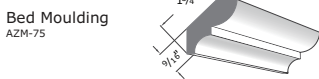
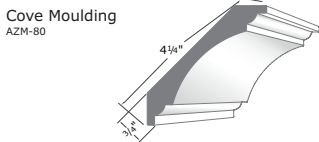
- 1 x 2 x 18'
- 1 x 4 x 18'
- 1 x 5 x 18'
- 1 x 6 x 18'
- 1 x 8 x 18'
- 1 x 10 x 18'
- 1 x 12 x 18'
- 1 x 16 x 18'

SHEETS

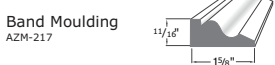
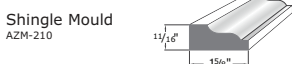
- 3/8" x 4' x 8'
- 3/8" x 4' x 10'
- 1/2" x 4' x 8'
- 1/2" x 4' x 10'
- 5/8" x 4' x 8'
- 5/8" x 4' x 10'
- 5/8" x 4' x 18'
- 3/4" x 4' x 8'
- 3/4" x 4' x 10'
- 3/4" x 4' x 18'
- 1" x 4' x 8'
- 1" x 4' x 10'
- 1" x 4' x 12'
- 1" x 4' x 20'

• 3/8" and 1/2" sheet products are not intended to be ripped into trim pieces. These profiles must be glued to a smooth solid substrate and mechanically fastened.

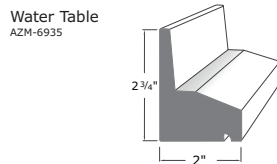
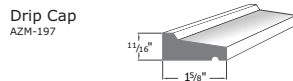
COVE PROFILES



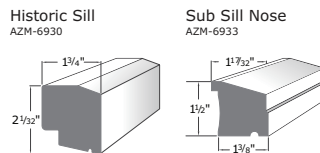
SHINGLE BAND PROFILES



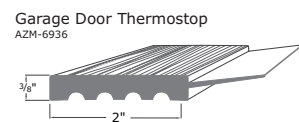
DRIP CAP PROFILES



SILL PROFILES



GARAGE DOOR THERMOSTOP



ACCESSORY ITEMS

BEADBOARD

- 1/2" x 5 1/2" x 18'
- 5/8" x 3 1/2" x 18'



CORNERBOARDS

- 5/4 x 4" x 4" x 10'
- 5/4 x 6" x 6" x 10'
- 5/4 x 4" x 4" x 20'
- 5/4 x 6" x 6" x 20'



CUSTOM PVC TRIM & MILLWORK – INTEX

INTEX Millwork Solutions specializes in the design and fabrication of custom PVC trim and millwork. Architects and builders rely on INTEX's strengths in both traditional workmanship and engineering technology to craft intricately detailed, high-quality millwork for distinctive homes and buildings.

The company has also innovated a line of fabricated, ready-to-install PVC window and door surrounds, and offers standard PVC millwork lengths and decorative accessories.

Finely crafted decorative trim, moldings and millwork add a distinctive finishing touch to the finest homes. But, with wood, that finishing touch will eventually need to be maintained. INTEX PVC boards look, feel and install like wood. But PVC offers durability that far surpasses wood or other materials.



Custom Millwork

From Imagination to Creation... INTEX enables limitless interior and exterior millwork design options. From intricate details to innovative finishing touches, INTEX PVC millwork is created using advanced CAD design technologies, state-of-the-art fabrication equipment and hand-crafted techniques once reserved only for wood.



Our millwork is produced to precise design specifications, fabricated to order, packaged securely so that product arrives damage free – ready for installation.

Window & Door Surrounds

INTEX window and door surrounds are available in standard sizes to match windows from today's most popular manufacturers, including Andersen and others. Our surrounds can be ordered fully assembled or as a kit for assembly on-site.



Just let us know if you want your surrounds with or without a head and sill, and if you prefer 3/4 or 1 inch thickness, with or without siding J channel.

Post Wraps

With INTEX post wraps, it's easy to turn ordinary posts into beautiful design elements. Hide a wood post or metal column. Create a perfect match to original square craftsman-type porch columns.



Post wraps are available in standard 6, 8, 10 and 12-inch widths and 4, 8, 10 and 12-foot heights, complete with mounting brackets, caps, base trim, PVC adhesive and everything needed to finish install.

Make 4 x 4 posts look like 10 x 10 posts or use INTEX post wraps to accent your project and match other trim work.

Applied around existing structural members or used in a stand-alone, non-structural application, INTEX post wraps are easy to install.

Need a custom design? We'll create it. installation. From Imagination to Creation...

Linear Trim

INTEX linear trim captures the traditional beauty of classic exterior millwork – without the eventual deterioration of wood. For intricate Victorian styles or more subtle designs, INTEX 100 percent PVC lengths are the perfect addition to your project.



Standard products include crown moldings with dentil, water table and beaded trim board. Custom requests are easily accommodated.

From intricate details to innovative finishing touches, INTEX PVC millwork is created using advanced CAD design technologies, state-of-the-art fabrication equipment and hand-crafted techniques once reserved only for wood.

Brackets, Panels & More

Traditionally renovating a historic home used to be challenging due to custom woodworking which would rot with time. Now INTEX has a solution with custom PVC millwork. Brackets, panels, trellis, porch heads or anything that can be imagined can be created to exact specifications.



INTEXTM
MILLWORK SOLUTIONS